

## ADA Transfer Shower Stall APES3698BF625



Shower shown with factory installed accessories  
Comes standard in white

39" x 39 1/2" x 77 1/8"  
36" x 36" inside dimension

1 piece for new construction

5/8" threshold with pre-leveled  
reinforced base for easy installation

Model includes:

- inside corner bar
- 24" vertical grab bar
- 2 molded soap ledges
- frameless white hdpe fold up seat
- curtain rod and drain.

Accessories available:

- collapsible water retainer
- weighted shower curtain
- handheld shower glidebar kit with pressure balanced valve.

Durable, luxurious and easy to clean  
gelcoat fiber-glass with smooth wall finish.

ADA Compliant

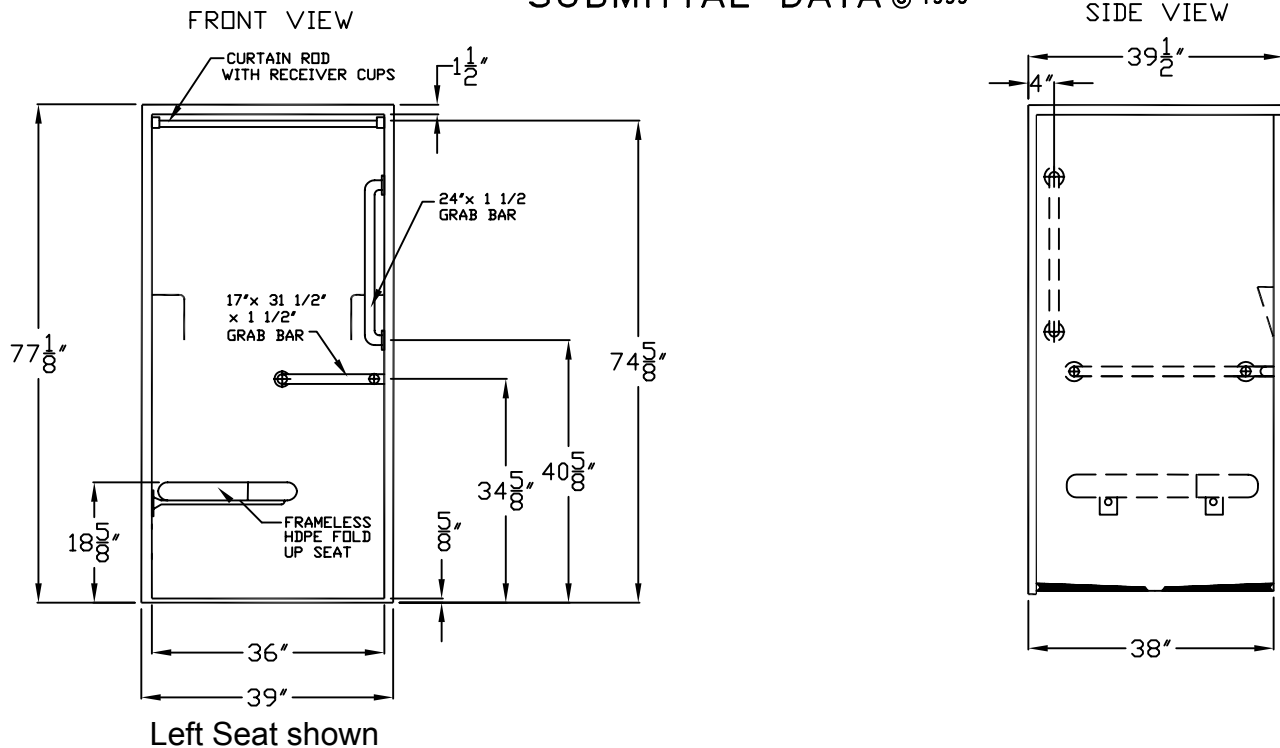
Note: this model is not TAS compliant

Ready to ship within 72 hours.



ADA Transfer Shower (36" x 36" inside dimension)

SUBMITTAL DATA © 1999



**Accessible Shower Stall**

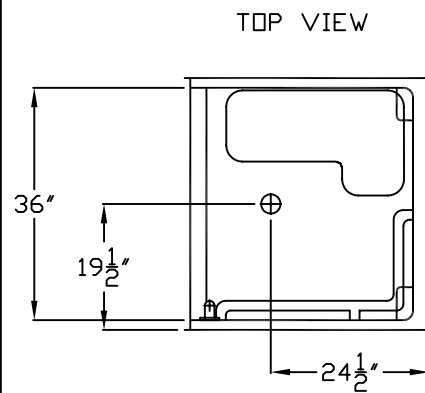
The shower enclosure shall be Accessibility Professionals Model APES3698BF right or left. Finished surface shall be of a sanitary-grade polyester Gelcoat exhibiting a minimal thickness of 15 dry mils, and a finished cured Barcol hardness of 80-90 as tested with ASTM D-2583. Unit construction shall be of molded reinforced fiberglass with a 15% minimum fiberglass content. The unit shall have outside dimensions of 39" x 39 1/2" x 77 1/8". The base shall be attached to the sump of the unit in such a manner to form and integral part with an inner and outer coating of reinforced polyester resin. The unit shall meet ANSI 117.1, ANSI 124.2, ADA, HUD, BOCA, NAHB, UPC, and shall meet the requirements of Southern Building Code.

The enclosure shall be equipped with the following installed accessories:

- 1) one 17" x 31 1/2" L bar x 1 1/2" diameter, 18 gauge grab bars with 1 1/2" statute clearance, mounted with stainless steel bolts and secured from the rear with a 3" x 3" x 11 gauge metal mounting plate, 2) 1" diameter 20 gauge curtain rod with receiver cups, 3) molded soap dish, 4) fold up seat, 5) Caulkless shower drain, 6) 5/8" threshold for easy base, 7) 24" x 1 1/2" vertical grab bar on valve wall.

Available Options: 1) Hand held shower set (Includes: hand set, 60" flex hose, swivel connector, vacuum breaker, brass nipple, locknut, wall brackets and shower wall outlet), 2) Factory installed fold up seat, 3) 24" or 30" slide bar, 4) Pressure balance valve, 5) Green shower curtain, anti-bacterial, and hooks, 6) White shower curtain and hooks.

**NOTE: THIS UNIT WILL NOT ACCEPT A DOOR!**



DUE TO THE NATURE OF THE MATERIALS DIMENSIONS MAY VARY ± 1/2"

Quote No.:	Drawing#: APES3698BF
Date: 7-13-00	Revised: 3-20-07
Job Name:	