

ADA Transfer Shower APES3938BF625



Shower shown with factory installed accessories
Comes standard in white

40" x 38" x 82 1/8"
36" x 36" inside dimension

1 piece for new construction

5/8" threshold with pre-leveled
reinforced base for easy installation

Model includes:

- inside corner bar
- 24" vertical grab bar,
- 2 molded soap ledges
- molded footledge
- frameless white hdpe fold up seat
- curtain rod and drain.

Accessories available:

- collapsible water retainer
- weighted shower curtain
- handheld shower glide bar kit with
pressure balanced valve.

Durable, luxurious and easy to
clean gelcoat fiber-glass with tile
look finish.

ADA compliant

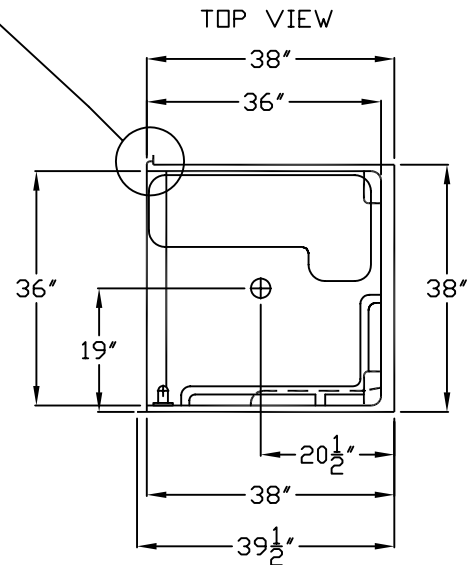
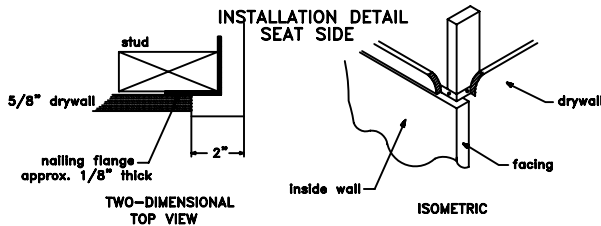
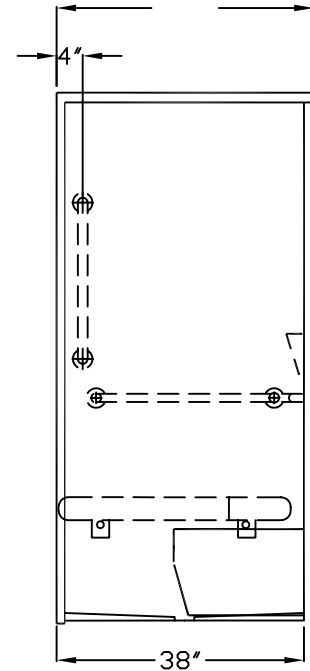
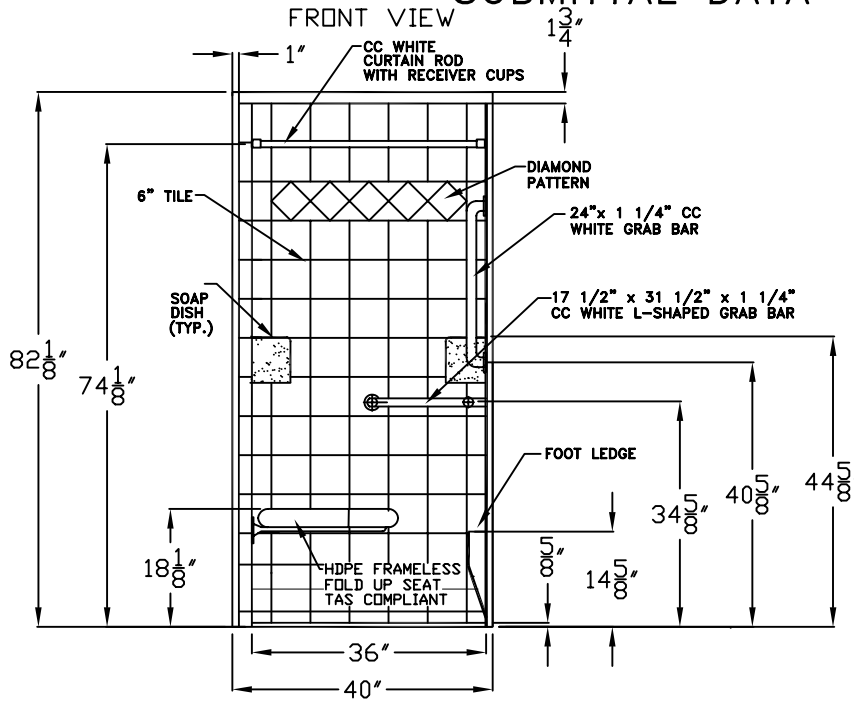
Ready to ship within 72 hours.



ADA Transfer Shower (36" x 36" inside dimension)

SUBMITTAL DATA

**SIDE VIEW
VALVE WALL**



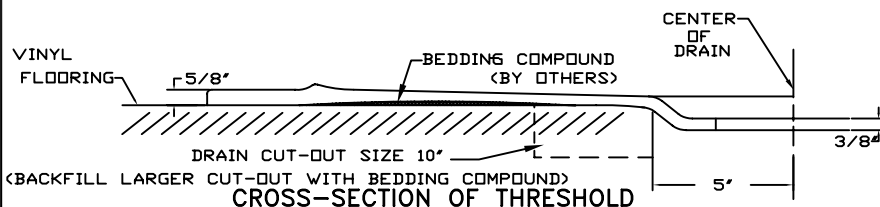
**DUE TO THE NATURE OF THE MATERIALS
DIMENSIONS MAY VARY ± 1/2"**

Transfer Shower Stall

The shower enclosure shall be Accessibility Professionals Model APES3938BF625 right or left. Finished surface shall be of a sanitary-grade polyester Gelcoat exhibiting a minimal thickness of 15 dry mills and a finished cured Barcol hardness of 80-90 as tested with ASTM D-2583. Unit construction shall be of molded reinforced fiberglass with a 15% minimum fiberglass content. The unit shall have outside dimensions of 40' x 39 1/2' x 82'. The base shall be attached to the sump of the unit in such a manner to form an integral part with an inner and outer coating of reinforced polyester resin. The unit shall meet ANSI 117.1, ANSI 124.2, ADA, TAS, HUD, BOCA, NAHB, UPC, and shall meet the requirements of Southern Building Code.

- The enclosure shall be equipped with the following installed accessories:
- 1) one 17 1/2' x 31 1/2' x CC white L-bar 1 1/4' diameter, mounted with stainless steel bolts and secured from the rear with a 3' x 3' x 11 gauge metal mounting plate,
 - 2) 5/8' threshold for easy base,
 - 3) Frameless HDPE fold up seat TAS compliant,
 - 4) molded soap dishes,
 - 5) drywall receiver flange on the seat side,
 - 6) lower molded leg ledge on valve wall,
 - 7) tile finish,
 - 8) CC white curtain rod with receiver cups,
 - 9) 24' x 1 1/2' SS vertical grab bar on valve wall.

NOTE: THIS UNIT WILL NOT EXCEPT A SHOWER DOOR



Job:	
Quote #:	Drawing#: APES3938BF
Date: 9-14-99 Revised: 3-20-07	