



Freedom ADA Transfer Shower 40" x 39.5"



Model APF3637BF3P

40 1/4" x 39 1/2" x 77 3/8"
36" x 36" Inside Dimension

5/8" barrier free threshold
with pre-leveled and
reinforced shower base
for easy installation

Three piece for remodeling

Durable, luxurious and easy
to clean gelcoat fiberglass

Full plywood backing in
walls offers strength and
easy installation of
accessories

Accessories available:
Grab bars, folding shower
seat, collapsible water
retainer, weighted shower
curtain and rod, slide bar
with handheld shower,
pressure balance valve,
caulkless drain

Shown with optional accessories Handed by valve, right valve shown

Shower is ADA compliant when installed with
available ADAAG accessories.

FREE OM SHOWERS

MODEL: APF3637BF3P ADA Shower

Submittal Data

Product Features

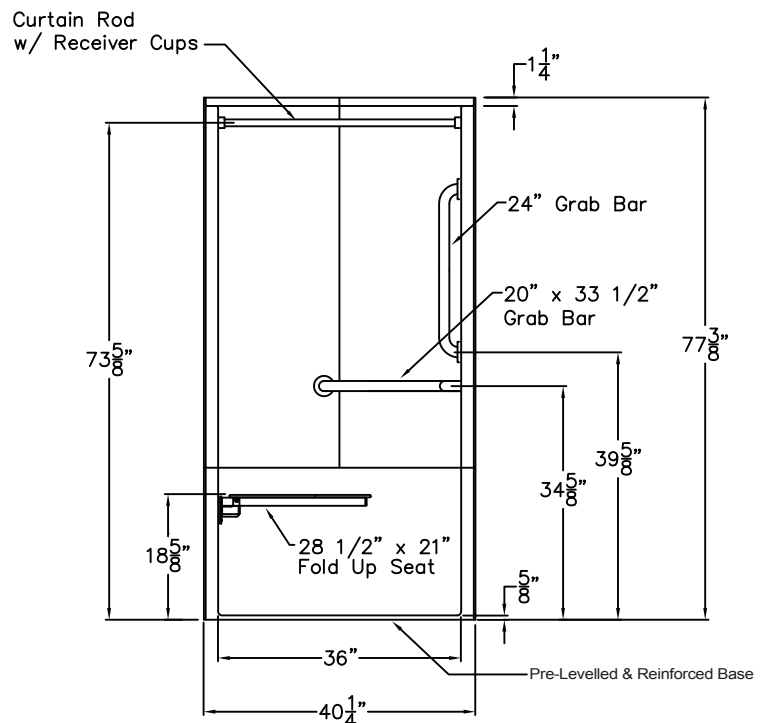
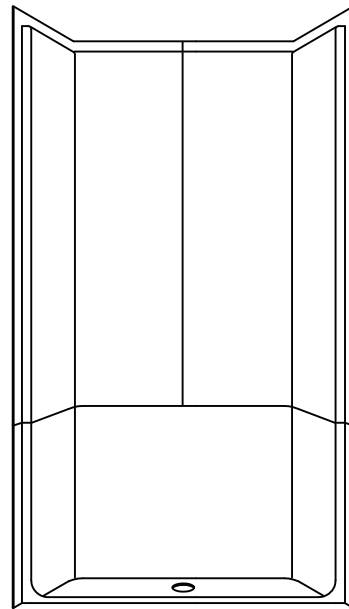
- 40 1/4" x 39 1/2" x 77 3/8"
- 5/8" barrier free threshold
- Self-supporting and pre-leveled shower base eliminates mud setting
- Full fiberglass encapsulated wood backing on walls
- Easy to clean gelcoat finish
- Textured slip-resistant floor
- Center drain location

Code Compliance

- IPC International Plumbing Code
- UPC Uniform Plumbing Code
- ANSI Z124.2 Standards for Plastic Showers
- ADA Accessibility Guidelines for Buildings and Facilities
- ANSI A117.1 Accessible and Useable Buildings and Facilities

Optional Accessories

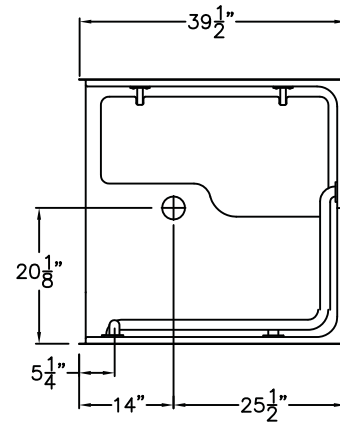
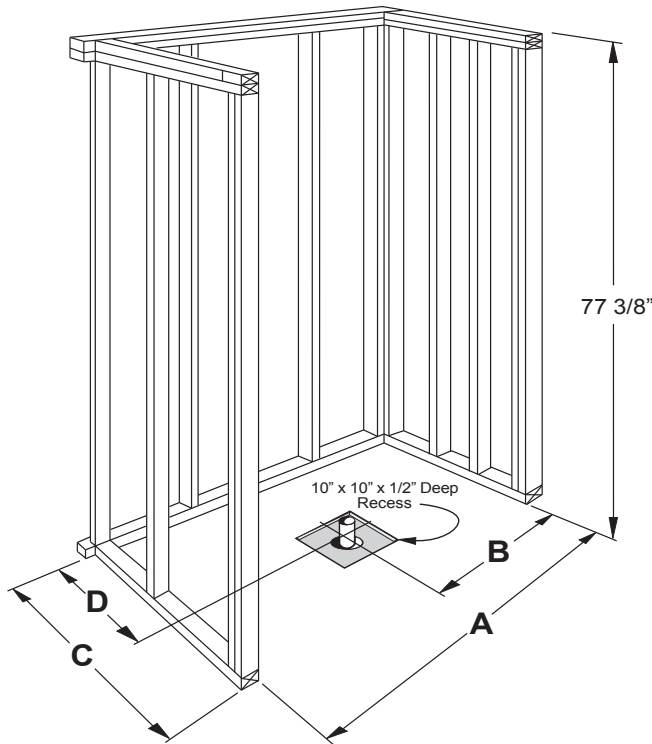
- Collapsible Water Retainer
- Folding Shower Seat
- Caulkless Drain
- Grab Bars
- Shower Rod and Curtain
- Pressure Balance Valve with hand-held Shower and Slide Bar



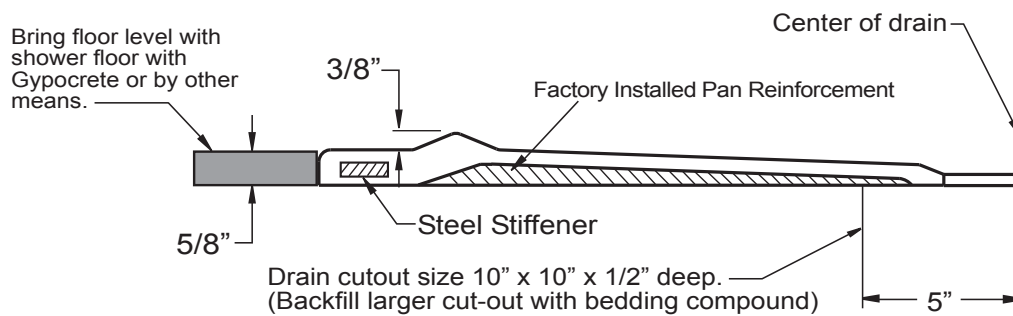
Handed by valve, right valve shown
With optional ADA accessories

FREEDOM SHOWERS

MODEL: APF3637BF3P Freedom ADA Shower Submittal Data - Installation



	A	B	C	D
APF3637	40 1/4"	20 1/8"	39 1/2"	25 1/2"



Detail Of Threshold