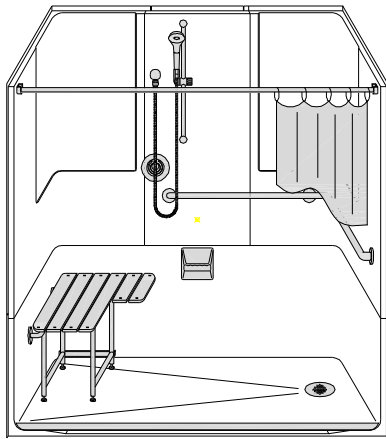
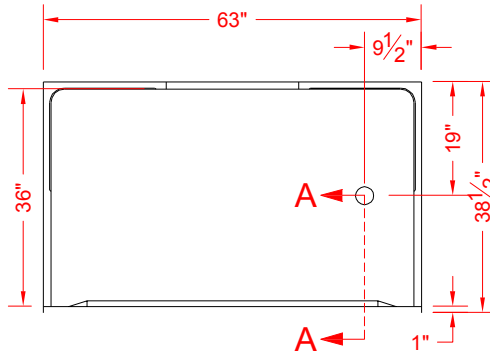


# MODEL: API4LSS6337E12B



**PERSPECTIVE VIEW - N.T.S.  
MODEL SHOWN HERE AS:  
LEFT SEAT, LEFT PLUMBING**

ALL ACCESSORIES OPTIONAL



**TOP VIEW - SCALE  $\frac{3}{8}'' = 1'-0''$**



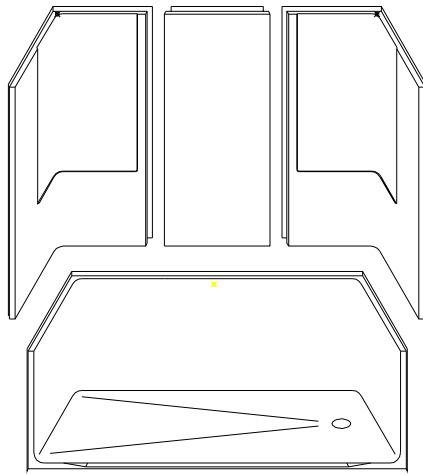
### Features:

- ADA compliant roll-in shower
- Available in various threshold heights
- Molded, four piece gelcoat/fiberglass shower module
- "Smooth" wall finish, white (standard)
- Integral full wood backing for strength and unlimited accessory placement
- On all threshold, heights 1-1/2" or taller, no mud set is required
- On all threshold, heights 1-1/4" or shorter, no mud set is required, but an epoxy adhesive kit is supplied

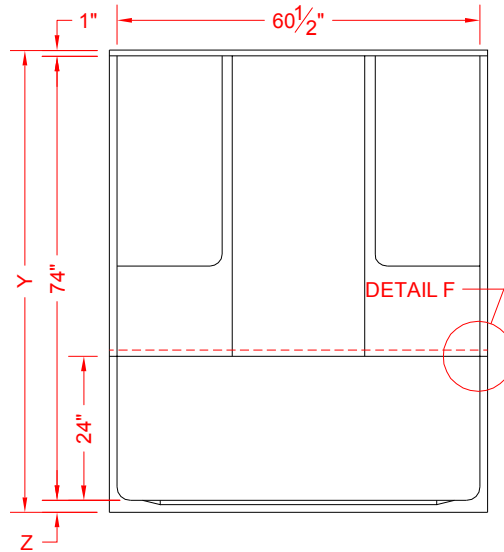
**\*OTHER THRESHOLD HEIGHTS AVAILABLE UPON REQUEST**

	UNIT HEIGHT	THRESHOLD HEIGHT
MODEL #	Y	Z*
API4LSS6337E12B	76-1/4"	1-1/4" MIN.

\* - SEE BACK FOR DETAIL SECTIONS



**ASSEMBLY VIEW - N.T.S.**



**FRONT ELEVATION - SCALE:  $\frac{3}{8}'' = 1'-0''$**

### PRODUCT SPECIFICATIONS:

- Multi piece shower module shall be constructed of gelcoat/fiberglass with full integral plywood backing
- Rough-In: Stud opening +1/4" -0" Nominal Dimensions.

### PRODUCT INFORMATION:

### ACCESSORIES:

#### INSTALLED BY OTHERS:

- Grab bar
- Seat, folding
- Mixing valve, pressure balanced, lever handle, preplumbed tree to supply elbow
- Vacuum breaker
- Soap dish
- Curtain and rod
- Collapsible Rubber Water Retainer
- Semi-permanent Threshold Adaptor
- Caulkless drain

### CODES:

- Designed and manufactured in compliance with the following standards and codes:
- A.N.S.I. Z124.2 Standards for Plastic Showers
  - I.P.C. International Plumbing Code
  - A.D.A. Accessibility Guidelines for Buildings and Facilities
  - A.N.S.I. A117.1 Accessible and Usable Buildings and Facilities
  - U.P.C. Uniform Plumbing Code

### NOTICE OF LIMITATION:

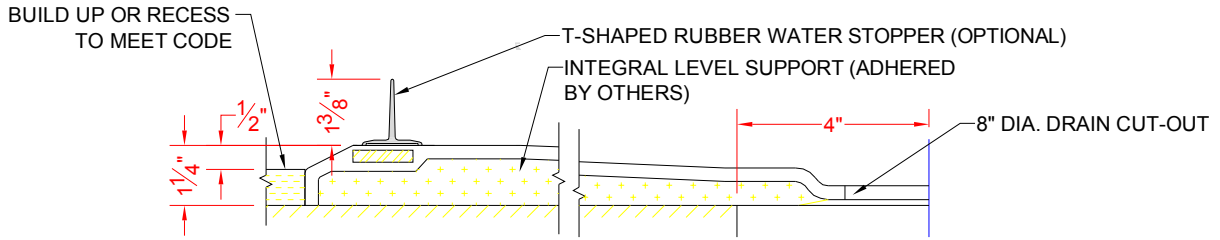
- Recess as needed to meet code
- Adhere to floor as required

1-877-947-7769

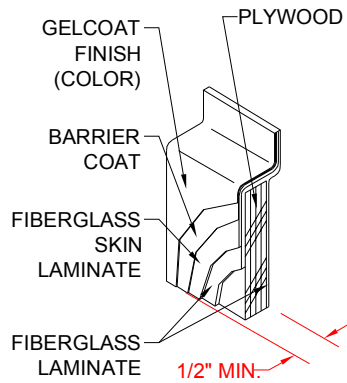
www.Accessible-Bathrooms.com

*We reserve the right to make revisions without notice in the design of fixtures or in packaging unless this right has specifically been waived at the time the order is accepted.*

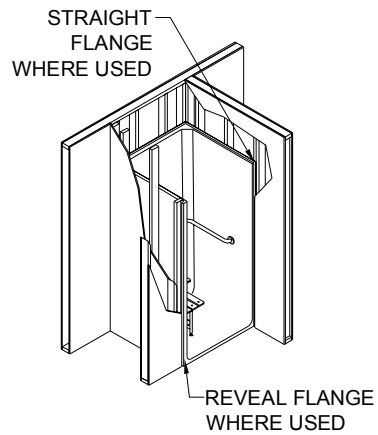
□ API4LSS6337E12B



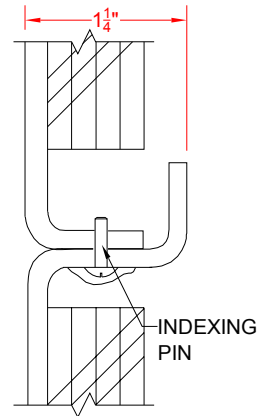
SECTION A-A - SCALE: 3" = 1'-0"



DETAIL B - SCALE: 3" = 1'-0"  
WALL SECTION DETAIL



DETAIL C - SCALE: NTS  
TYPICAL FRAMING



DETAIL F - SCALE: NTS  
PAN JOINT DETAIL