

ADA Roll-in Shower API LDS6947A75T



Shower shown with available accessories
Comes standard in white, colour upgrade available

69" x 48" x 78 3/4"

1-piece for new construction

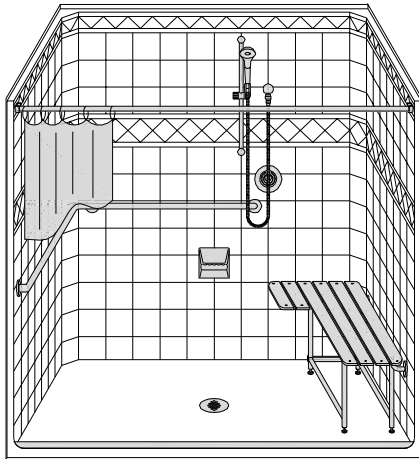
3/4" barrier free threshold with pre-levelled and re-inforced shower base for easy installation.

Durable, luxurious and easy to clean gelcoat fiberglass. Tile look with diamond accents.

Full plywood backing in walls offers strength and easy installation of accessories.

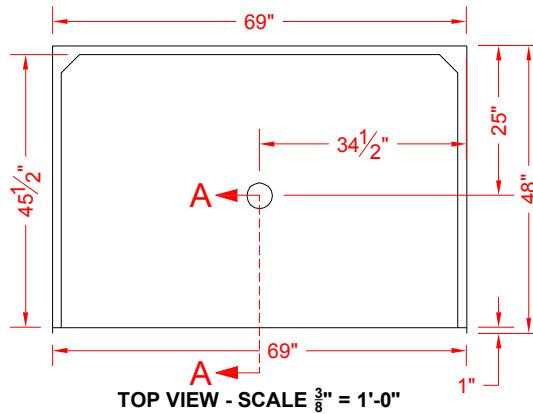
Accessories available:
Grab bars, padded folding shower seat, collapsible water retainer, weighted shower curtain and rod, glide bar with handheld shower, pressure balance valve, caulkless drain.

MODEL: APILDS6947A75T



PERSPECTIVE VIEW - N.T.S.
MODEL SHOWN HERE AS:
 RIGHT SEAT
 RIGHT PLUMBING

ALL ACCESSORIES OPTIONAL

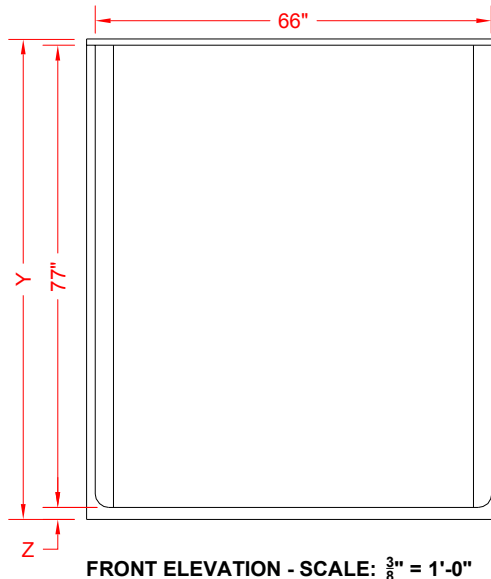


ADA COMPLIANT

Features:

- ADA compliant roll-in shower
- Available in various threshold heights
- Extra deep for easy straight on wheelchair approach
- Molded, one piece gelcoat/fiberglass shower module
- "Diamond Tile" wall finish, white (standard)
- Integral full wood backing for strength and unlimited accessory placement
- On all threshold, heights 1-1/2" or taller, no mud set is required
- On all threshold, heights 1-1/4" or shorter, no mud set is required, but an epoxy adhesive kit is supplied

*OTHER THRESHOLD HEIGHTS AVAILABLE UPON REQUEST



	UNIT HEIGHT	THRESHOLD HEIGHT
MODEL #	Y	Z*
APILDS6947A75T	78-3/4"	3/4" MIN.

* - SEE BACK FOR DETAIL SECTIONS

PRODUCT SPECIFICATIONS:

- One piece shower module shall be constructed of gelcoat/fiberglass with full integral plywood backing
- Rough-In: Stud opening +1/4" -0" Nominal Dimensions.

PRODUCT INFORMATION:

ACCESSORIES:

INSTALLED BY OTHERS:

- Grab bar
- Seat, folding
- Mixing valve, pressure balanced, lever handle, preplumbed tree to supply elbow
- Vacuum breaker
- Soap dish
- Curtain and rod
- Collapsible Rubber Water Retainer
- Semi-permanent Threshold Adaptor
- Caulkless drain

CODES:

- Designed and manufactured in compliance with the following standards and codes:
- A.N.S.I. Z124.2 Standards for Plastic Showers
 - I.P.C. International Plumbing Code
 - A.D.A. Accessibility Guidelines for Buildings and Facilities
 - A.N.S.I. A117.1 Accessible and Usable Buildings and Facilities
 - U.P.C. Uniform Plumbing Code

NOTICE OF LIMITATION:

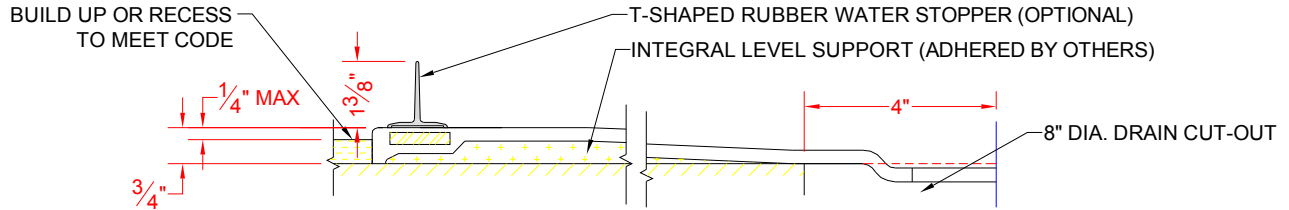
- Recess as needed to meet code
- Adhere to floor as required

1-877-947-7769

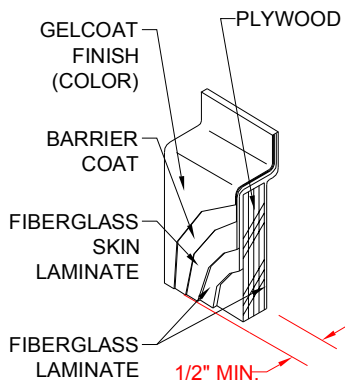
www.Accessible-Bathrooms.com

We reserve the right to make revisions without notice in the design of fixtures or in packaging unless this right has specifically been waived at the time the order is accepted.

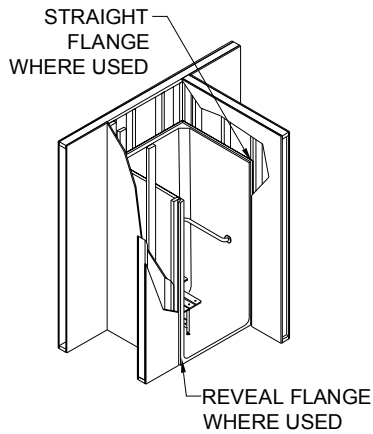
APILDS6947A75T



SECTION A-A - SCALE: 3" = 1'-0"



DETAIL B - SCALE: 3" = 1'-0"
WALL SECTION DETAIL



DETAIL C - SCALE: NTS
TYPICAL FRAMING