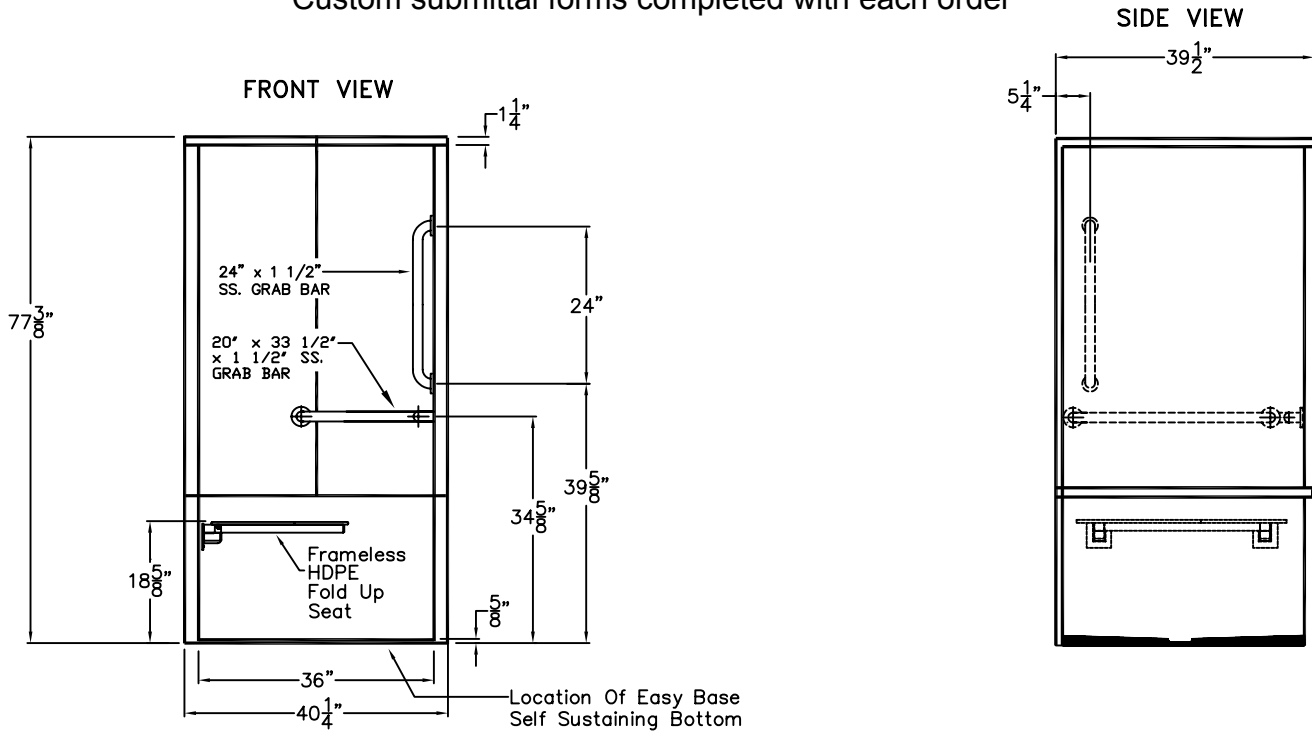


# ADA Transfer Shower (3 piece)

Submittal Information; All accessories shown are optional  
Custom submittal forms completed with each order



## Transfer Shower Stall

The enclosure shall be Accessibility Professionals # APTG3637BF3P three piece right or left. The finished surface shall be of a finished surface polyester Gelcoat exhibiting a minimal thickness of 15 dry mils, and a finished cured Barcol hardness of 80-90 as tested with ASTM D-2583. Unit construction shall be of molded reinforced fiberglass with a minimum fiberglass content of 15%. The unit shall have the outside dimensions of 40 1/4" x 39 1/2" x 77 3/8". The base shall be attached to the sump of the unit in such a manner to form an integral part with an inner and outer coating of reinforced polyester resin. The unit shall meet ANSI Z124.2, NAHB, UPC.

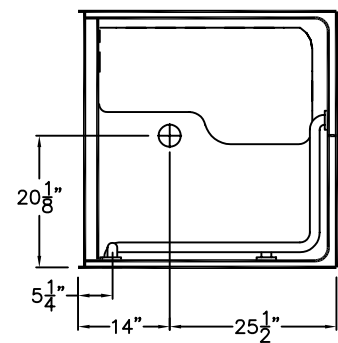
HANDED BY THE VALVE. RIGHT HAND SHOWN, LEFT HAND AVAILABLE.

The enclosure may be equipped with the following installed accessories

- 1) one 20" x 33 1/2" x 1 1/2" L-shaped horizontal grab bar, 18 gauge stainless steel,
- 2) one 24" x 1 1/2" 18 gauge stainless steel vertical grab bar, both with 1 1/2" statute clearance, mounted with stainless steel bolts secured from the rear with 3" x 3", 11 gauge mounting plates,
- 3) 32" white frameless hdpe fold up seat installed and secured from the rear with 3" x 3", 11 gauge mounting plates,
- 4) 5/8" threshold,
- 5) Factory installed Easy Base self sustaining bottom.

Available options: 1) Hand held shower kit (includes: hand held set, 60' flex hose, vacuum breaker, brass nipple, lock nut, wall brackets, and shower wall outlet, 2) 24" or 30" slide bar, 3) Pressure balance valve, 4) Green anti-bacterial shower curtain and hooks, 5) White shower curtain and hooks.

TOP VIEW



DUE TO THE NATURE OF THE MATERIALS DIMENSIONS MAY VARY ± 1/2"

Job Name:

Model No.: APTG3637BF3P

Approved by:

Rep.:

Date Approved:

Wholesaler:

Drawing#:

Date: 5-18-07

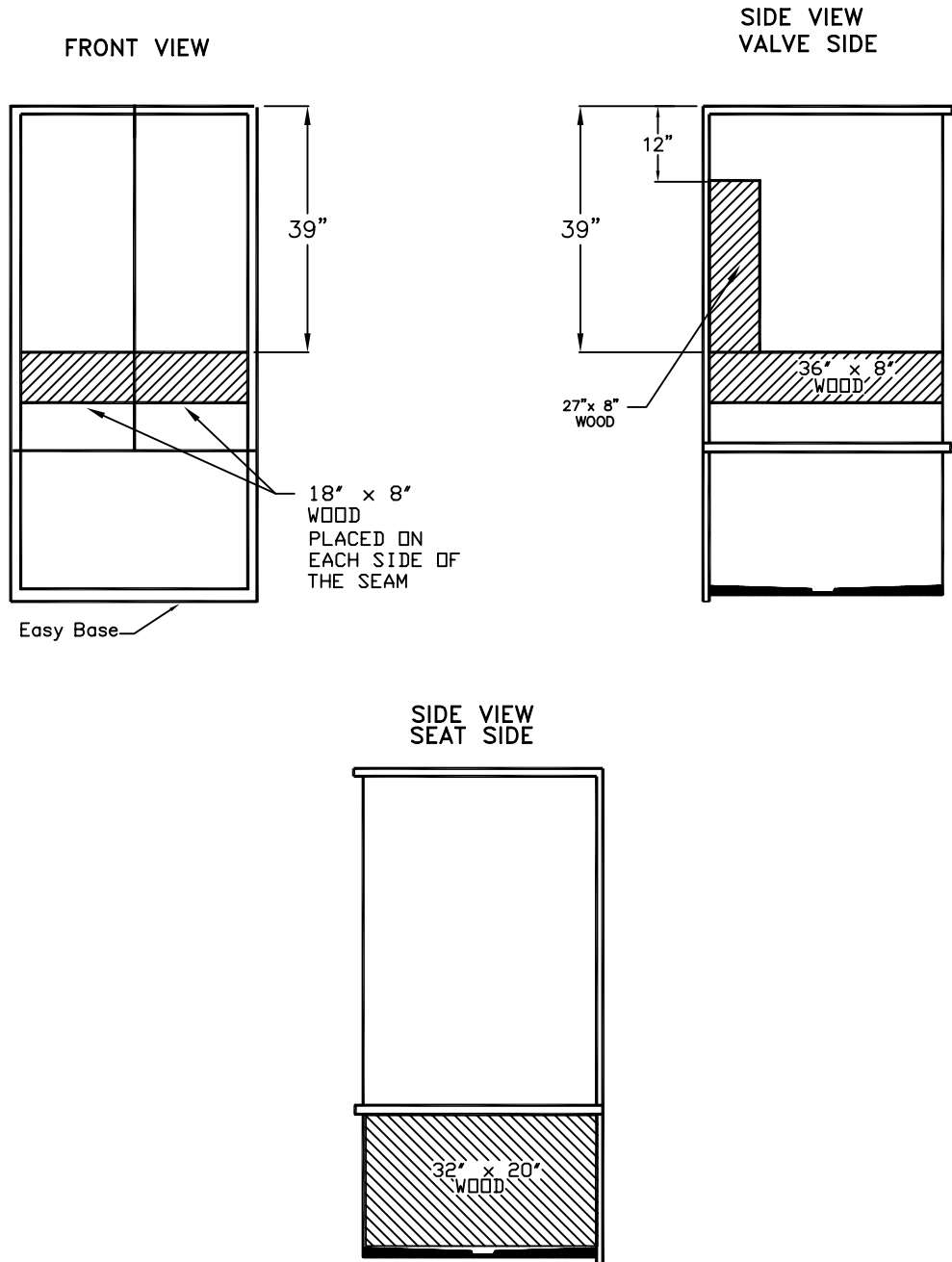
Quote No.:

SB VB FHDP EB

Revised: 3-13-09

# Board Placement

## SUBMITTAL DATA



DUE TO THE NATURE OF THE MATERIALS  
DIMENSIONS MAY VARY ± 1/2"

Job Name:			
Model No.: APTG3637BF3P		Drawing#:	SB VB FS-BP
Approved by:	Date Approved:	Date: 7-31-96	Revised: 3-13-09
Rep.:	Wholesaler:	Quote No.:	