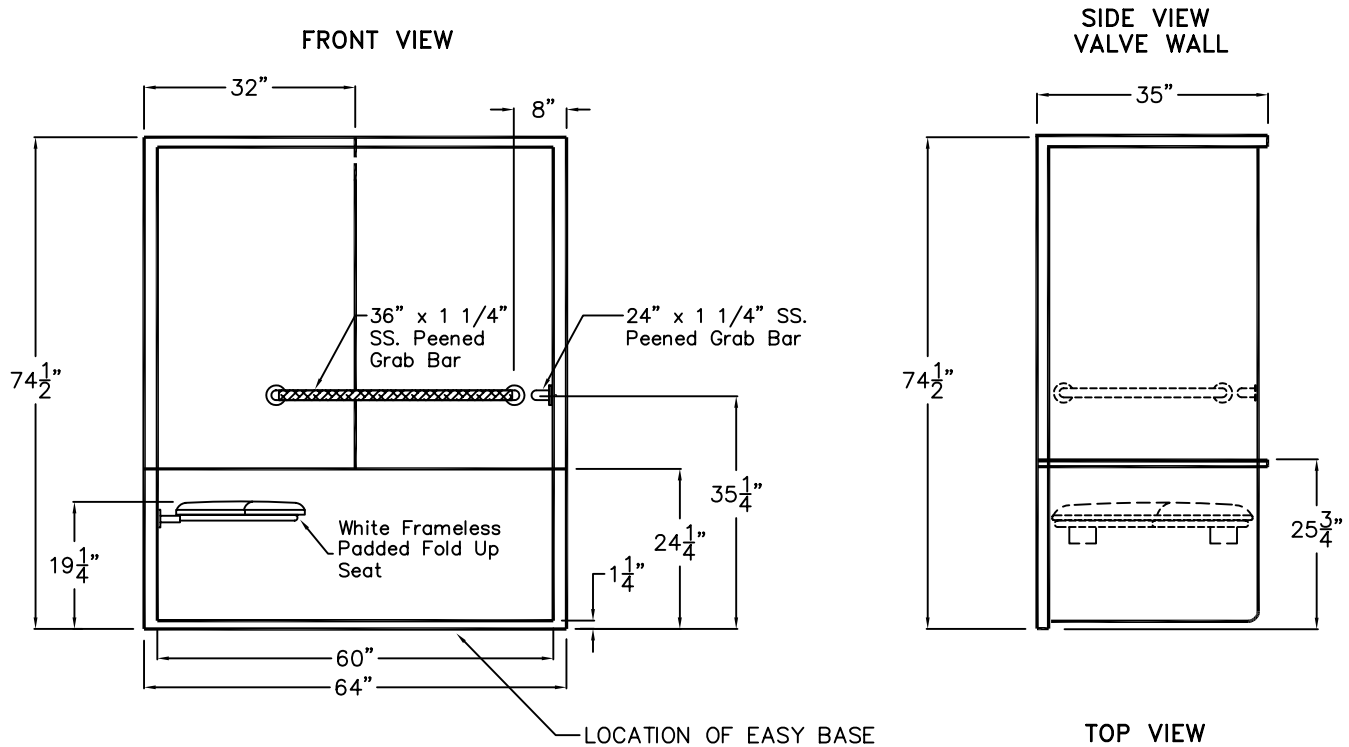


ADA Roll-in Shower

Submittal Information; All accessories shown are optional
 Custom submittal forms completed with each order

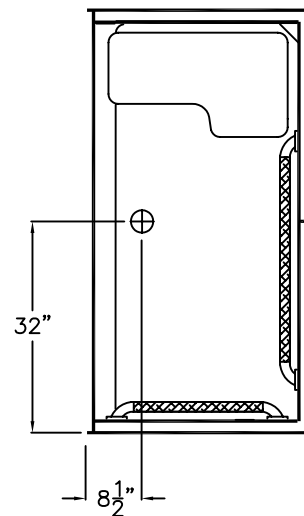


Roll-In Shower Stall

The three-piece shower enclosure shall be Accessibility Professionals APTG6037BF3PMAS center, right or left. Finished surface shall be of a sanitary-grade polyester Gelcoat exhibiting a minimal thickness of 15 dry mils, and a finished cured Barcol hardness of 80-90 as tested with ASTM D-2583. Unit construction shall be of molded reinforced fiberglass with a 15% minimum fiberglass content. The unit shall have outside dimensions of 64" x 35" x 75 1/4". The base shall be attached to the sump of the unit in such a manner to form and integral part with an inner and outer coating of reinforced polyester resin. The unit shall meet ANSI 117.1, ANSI 124.2, ADA, HUD, MAS, BOCA, NAHB, UPC, and shall meet the requirements of Southern Building Code.

The enclosure may be equipped with the following installed accessories:
 1) one 36" x 1 1/4" diameter, 18 gauge stainless steel peened grab bar mounted horizontal on the back wall
 2) one 24" x 1 1/4" diameter 18 gauge stainless steel peened grab bar mounted horizontal on the side wall with 1 1/2" statute clearance, mounted with stainless steel bolts and secured from the rear with a 3" x 3" x 11 gauge metal mounting plate,
 3) frameless padded fold up seat,
 4) 1 1/4" threshold, 5) Factory Installed Easy Base self-sustaining bottom.

NOTE: BACK WALL GRAB BAR MUST BE LOOSENED FOR SHOWER INSTALLATION.
 THIS UNIT FEATURES THE OUTSIDE DIMENSIONS OF 64" OF OVERALL WIDTH.
 THIS DOES NOT ALLOW FOR FULL ENCLOSURE OF THE BOLTS THAT ARE USED TO SECURE THE BARS AND SEAT IN PLACE. THE BOLT AND NUT COMBINATION SHOULD NOT PROTRUDE MORE THAN 1" ON EITHER SIDE.
 THIS SHOULD NOT CREATE ANY TYPE OF INSTALLATION PROBLEMS EXCEPT FOR A DRYWALL ENCLOSED FIRE WALL INSTALLATION AREA THAT WOULD NOT ALLOW FOR ANY VARIATIONS.
 IN A STANDARD STUD /OPENING INSTALLATION THE EXTENSION OF THE HARDWARE SHOULD NOT CAUSE ANY TYPE OF PROBLEM.



DUE TO THE NATURE OF THE MATERIALS DIMENSIONS MAY VARY ± 1/2"

Job Name:

Model No.: APTG6037BF3PMAS

Drawing#: APTG6037BF3PMAS PHBW PHSW FPD-EB

Approved by:

Date Approved:

Date: 6-21-07

Revised: 12-18-07

Rep.:

Wholesaler:

Quote No.: