

ADA Roll-in Shower APTG6239BF75



Shower shown with some available factory installed accessories
Comes standard in white

62" x 38" x 78 3/4"
60" x 36" inside dimension

1 piece for new construction

3/4" threshold, mudset required.

Model includes:

- 2 molded soap ledges

Accessories available:

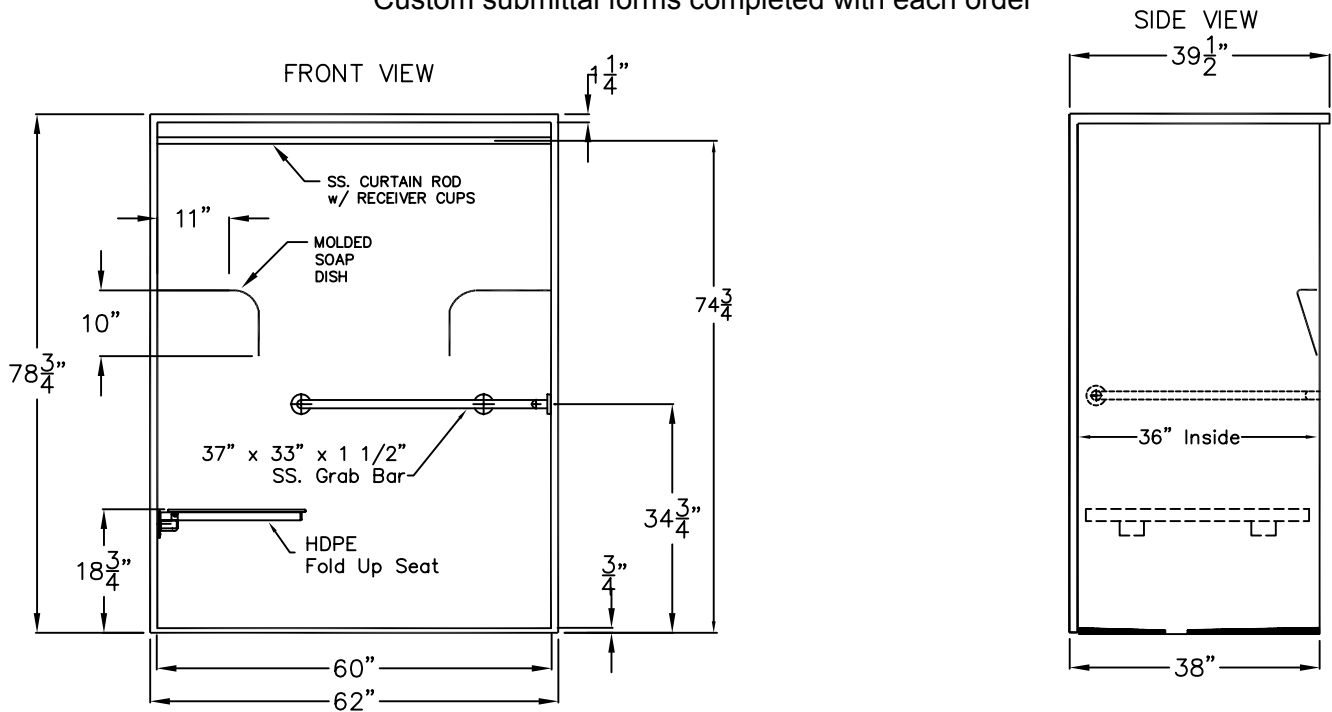
- inside corner bar
- frameless white hdpe fold up seat
- curtain rod and drain.
- collapsible water retainer
- weighted shower curtain
- handheld shower glide bar kit with pressure balanced valve.

Durable, luxurious and easy to clean gelcoat fiberglass with smooth wall finish.

ADA compliant

ADA ROLL IN SHOWER (60" X 36" I.D.)

Submittal Information; All accessories shown are optional
Custom submittal forms completed with each order



Roll-In Shower Stall

The shower enclosure shall be ADA Model APTG6239BF75 center, right or left. Finished surface shall be of a sanitary-grade polyester Gelcoat exhibiting a minimal thickness of 15 dry mils, and a finished cured Barcol hardness of 80-90 as tested with ASTM D-2583. Unit construction shall be of molded reinforced fiberglass with a 15% minimum fiberglass content. The unit shall have outside dimensions of 62" x 36 1/2" x 78 3/4". The base shall be attached to the sump of the unit in such a manner to form an integral part with an inner and outer coating of reinforced polyester resin. The unit shall meet ANSI 117.1, ANSI 124.2, ADA, HUD, BOCA, NAHB, UPC, Code and shall meet the requirements of Southern Building Code. Inside dimensions: 60" wide x 36" deep.

HANDED BY THE SEAT. LEFT HAND SHOWN. RIGHT HAND AVAILABLE.

The enclosure may be equipped with the following installed accessories:

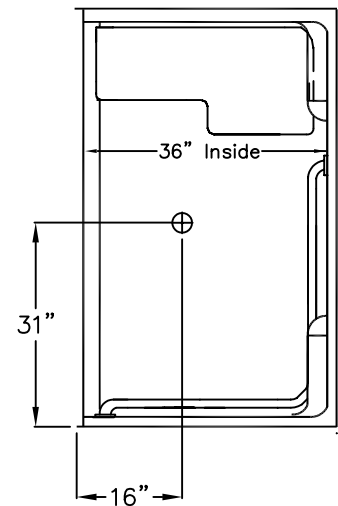
- 1) one 37" x 33" x L-bar x 1 1/2" diameter, stainless steel grab bar with 1 1/2" statute clearance, mounted with stainless steel bolts and secured from the rear with a 3" x 3" x 11 gauge metal mounting plate,
- 2) factory installed frameless white HDPE fold up seat,
- 3) 3/4" threshold
- 4) one inch diameter stainless steel curtain rod with receiver cups,
- 5) white shower curtain,
- 6) brass self caulking drain.

THIS UNIT FEATURES THE OUTSIDE DIMENSIONS OF 62" OF OVERALL WIDTH. THIS DOES NOT ALLOW FOR FULL ENCLOSURE OF THE BOLTS THAT ARE USED TO SECURE THE BARS AND SEAT IN PLACE. THE BOLT AND NUT COMBINATION SHOULD NOT PROTRUDE ANY MORE THAN 3/4" ON EITHER SIDE.

THIS SHOULD NOT CREATE ANY TYPE OF INSTALLATION PROBLEMS EXCEPT FOR A DRY WALL ENCLOSED FIRE WALL INSTALLATION AREA THAT WOULD NOT ALLOW FOR ANY VARIATIONS. IN A STANDARD STUD /OPENING INSTALLATION THE EXTENSION OF THE HARDWARE SHOULD NOT CAUSE ANY TYPE OF PROBLEM.

NOTE: THIS UNIT WILL NOT ACCEPT A DOOR!

TOP VIEW



DUE TO THE NATURE OF THE MATERIALS DIMENSIONS MAY VARY ± 1/2"

Job Name:	FACTORY INSTALLATION OF SHOWER ACCESSORIES IS AVAILABLE. MANY ACCESSORY OPTIONS.	
Model No: APTG6239BF75	Drawing#: G6239BF .75 SB FHDP CR WC DN EB	
Approved by:	Date Approved:	Date: 6-7-07 Revised: 7-23-08
Rep.:	Wholesaler:	Quote No.: