



Acrylic ADA Transfer Shower APTS4136BF875



41 1/4" x 36 1/4" x 82 7/8"
36" x 36" inside dimension

1 piece unit for new construction

7/8" threshold with pre-leveled
reinforced base for easy installation

Accessories available:

- inside corner grab bar
- vertical grab bar
- white hdpe fold up seat
- curtain rod and drain
- collapsible water retainer
- weighted shower curtain
- handheld shower glidebar kit with pressure balance valve.

Durable, luxurious and easy to
clean acrylic with diamond tile
finish.

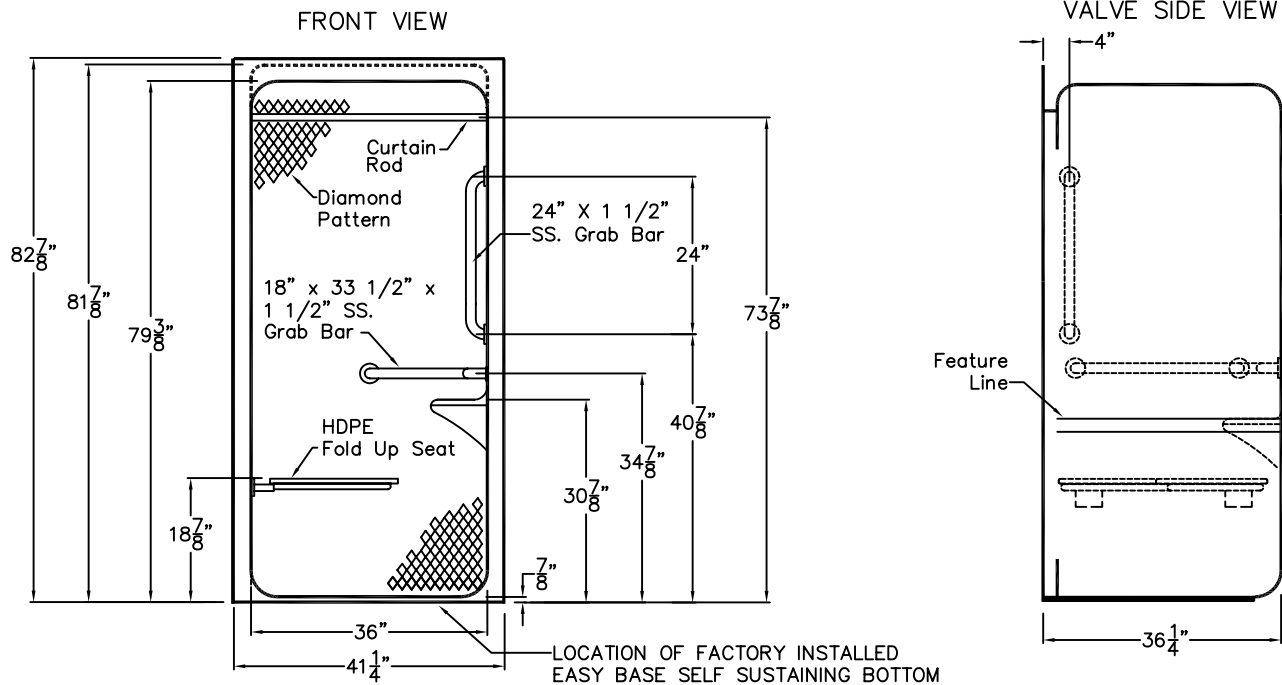
ADA compliant

Note: this model not TAS compliant

Shower shown with available factory installed accessories
Comes standard in white

Acrylic ADA Transfer Shower

Submittal Information; All accessories shown are optional
Custom submittal forms completed with each order



Transfer Shower Stall

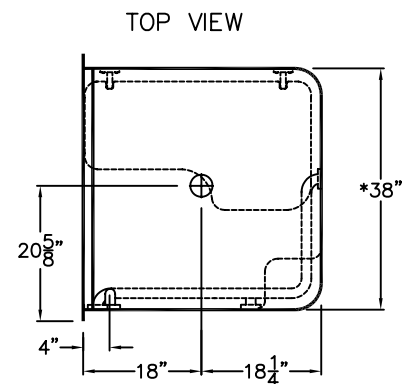
This shower enclosure shall be Accessibility Professionals Model# APTS4136BF875. The unit shall be molded from a single sheet of acrylic so as not to have any seams or joints. It shall meet ANSI A117.1 and ANSI 124.2, shall have the backside fire rating of "A" and a flame spread of less than 25, shall be designed to meet ADA, FHA, HUD, BOCA, NAHB, UPC and shall meet the requirements of most state and national standards on design for the disabled including Southern Building Code. The unit shall have inside dimensions of 36" x 36" x 80 1/2" and the outside dimensions of 41 1/4" x 36 1/4" x 82 7/8".

The enclosure may be equipped with the following installed accessories:

- 1) one 18" x 33 1/2" x 1 1/2" diameter stainless steel grab bar
- 2) one 24" x 1 1/2" diameter stainless steel vertical grab bar with 1 1/2" clearance statute, mounted with stainless steel bolts secured from the rear with 3" x 3", 11 gauge metal backing plates,
- 3) 1" diameter 18 gauge stainless steel curtain rod,
- 4) Frameless Hdpe fold up seat, 5) .875 threshold with factory installed Easy Base self-sustaining bottom.

Available options: 1) hand held shower set (includes: hand set, 60" flex hose, swivel connector, vacuum breaker, brass nipple, lock nut and shower wall outlet), 3) pressure balance valve, 4) green anti-bacterial shower curtain with hooks, 5) white shower curtain and hooks, 6) molded seat.

NOTE: EACH SIDE WALL CONTAINS A FEATURE LINE FROM 30" TO 32" HORIZONTAL. THIS FEATURE LINE OFFSETS 3/8" FROM THE SIDE WALL. IN PLUMBING PLANS, ENSURE THIS WILL NOT INTERFERE WITH VALVE AND PLUMBING PLACEMENT.



ROUGH IN DIMENSIONS FOR UNITS WITHOUT SEAT FEATURED: 38 1/4" x 37 1/4" x 82 3/4"
ROUGH IN DIMENSIONS FOR UNITS FEATURING A MOLDED SEAT: 39" x 37 1/4" x 82 3/4"
ROUGH IN DIMENSIONS FOR UNITS FEATURING A FOLD UP SEAT: 39 3/4" x 37 1/4" x 82 3/4"
* NOTE: THIS DIMENSION IS NOT TO SCALE. THIS DIMENSION INCLUDES NUTS/BOLTS, WOOD AND HARDWARE REQUIRED FOR ASSEMBLY. OFFSET THE 39 3/4", 1/2" TOWARDS THE FOLD UP SEAT SIDE TO ALLOW FOR THE BOARD.

DUE TO THE NATURE OF THE MATERIALS INVOLVED, UNIT DIMENSIONS MAY VARY ± 1/2 INCH.

Job Name:

Model No.: APTS4136BF875

Drawing#: APTS4136BF875 SB VB FHDP CR EB

Approved by:

Date Approved:

Date: 4-26-07

Revised: 4-23-08

Rep.:

Wholesaler:

Quote No.: