

ADA Acrylic Shower APTS6430BF75



64 1/2" x 30 1/4" x 81 1/2"
60" x 30" inside dimension

1 piece for new construction

3/4" threshold with pre-leveled
reinforced base for easy installation

Model includes:

- molded soap tray in the center of the back wall

Accessories available:

- inside corner bar
- frameless white hdpe fold up seat
- curtain rod and drain.
- collapsible water retainer
- weighted shower curtain
- handheld shower glide bar kit with pressure balanced valve.

Durable, luxurious and easy to clean acrylic with diamond tile look finish.

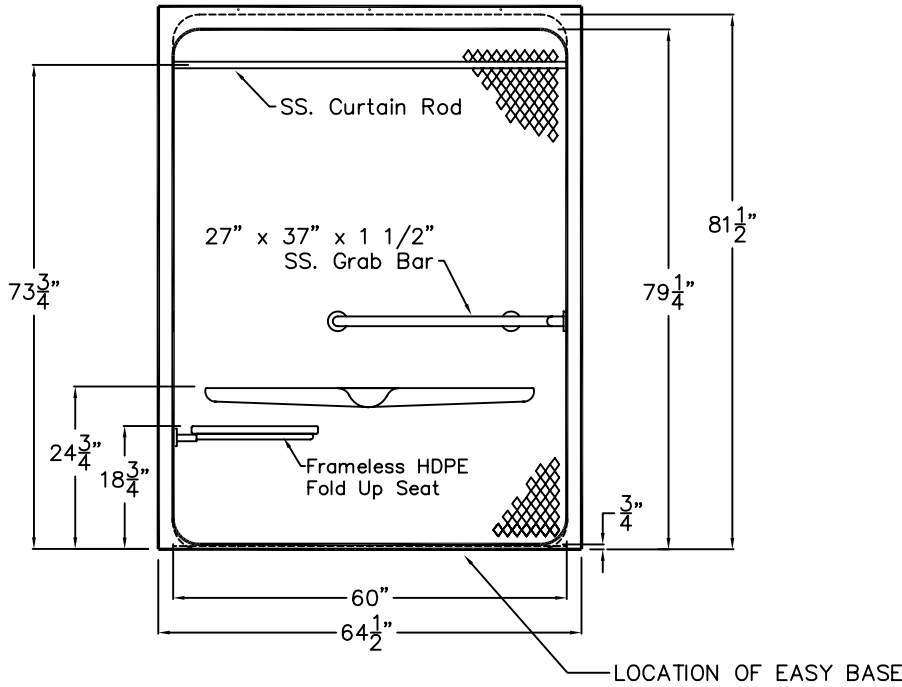
ADA compliant

Shower shown with some available factory installed accessories
Comes standard in white

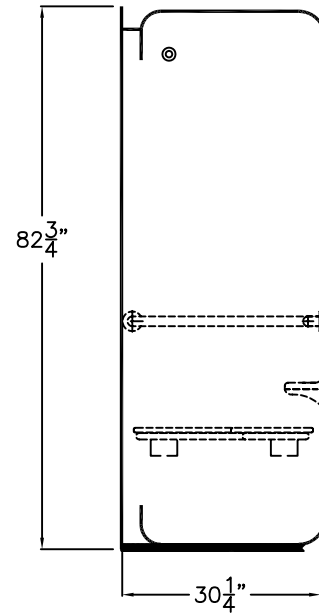
Acrylic ADA Roll-in Shower

Submittal Information; All accessories shown are optional
Custom submittal forms completed with each order

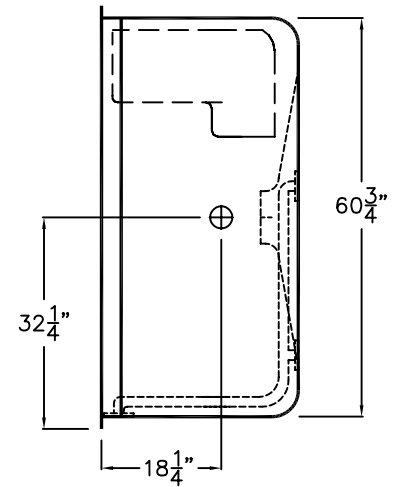
FRONT VIEW



SIDE VIEW



TOP VIEW



Roll-In Shower Stall

This shower enclosure shall be Accessibility Professionals Model APTS6430BF75 molded acrylic. The unit shall be molded from a single sheet of acrylic so as not to have any seams or joints. It shall meet ANSI A117.1 and ANSI 124.2, shall have the backside fire rating of "A" and a flame spread of less than 25, shall be designed to meet ADA, FHA, HUD, BOCA, NAHB, UPC and shall meet the requirements of most state and national standards on design for the disabled including Southern Building Code. The unit shall have inside dimensions of 60' x 30' x 80 1/2' and the outside dimensions of 64 1/2' x 30 1/4' x 82 3/4'.

This enclosure has an optional factory installed fold up seat (which complies with ADA) 18" above the shower floor in an L-shape. There shall be a molded soap tray placed in the center of the backwall.

The enclosure may be equipped with the following factory installed accessories:

- 1) one 27" x 37" x 1 1/2" L-shaped, 18 gauge stainless steel grab bar, mounted with stainless steel bolts secured from the rear with 3" x 3" 11 gauge metal backing plates,
- 2) 1" diameter 20 gauge stainless steel curtain rod,
- 3) factory installed frameless HDPE fold up seat,
- 4) Molded soap ledge,
- 5) Factory installed Easy Base self sustaining bottom,
- 6) 3/4" Threshold.

Available options: 1) hand held shower set (includes: hand set, 60' flex hose, swivel connector, vacuum breaker and shower wall outlet) 2) pressure balance valve, 3) green anti-bacterial shower curtain with hooks, 4) white shower curtain and hooks.

DUE TO THE NATURE OF THE MATERIALS INVOLVED, UNIT DIMENSIONS MAY VARY ± 1/2 INCH.

Job Name:			
Model No.: APTS6430BF75		Drawing#: APTS6430BF75 SB FHDP CR EB	
Approved by:	Date Approved:	Date: 5-28-07	Revised: 3-13-09
Rep.:	Wholesaler:	Quote No.:	