

ADA Transfer Shower Stall APTSS3698BF625



Shower shown with available factory installed accessories.
Comes standard in white.

39" x 39 1/2" x 77 1/8"
36" x 36" inside dimension

1 piece for new construction

5/8" threshold with pre-levleled reinforced base for easy installation

Model includes:
- 2 molded soap ledges

Accessories available:
- inside corner bar
- 24" vertical grab bar
- frameless white hdpe fold up seat
- curtain rod and drain.
- collapsible water retainer
- weighted shower curtain
- handheld shower glidebar kit with pressure balanced valve.

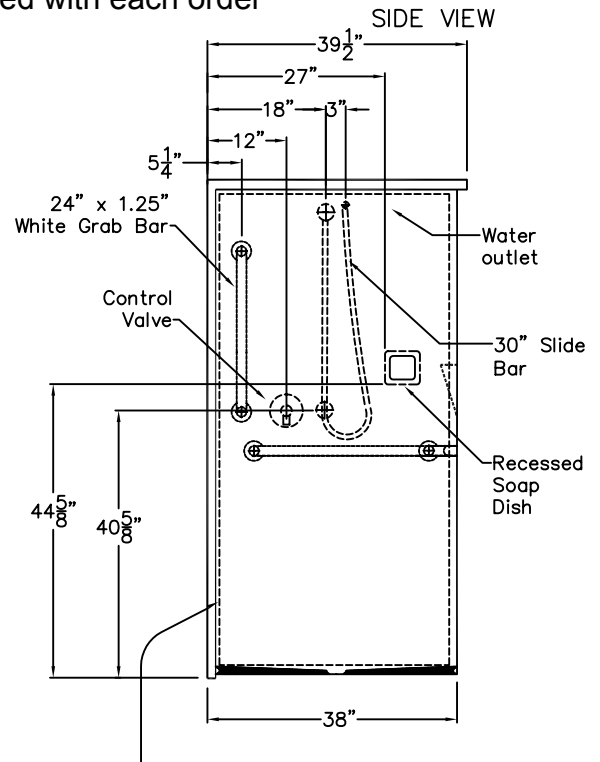
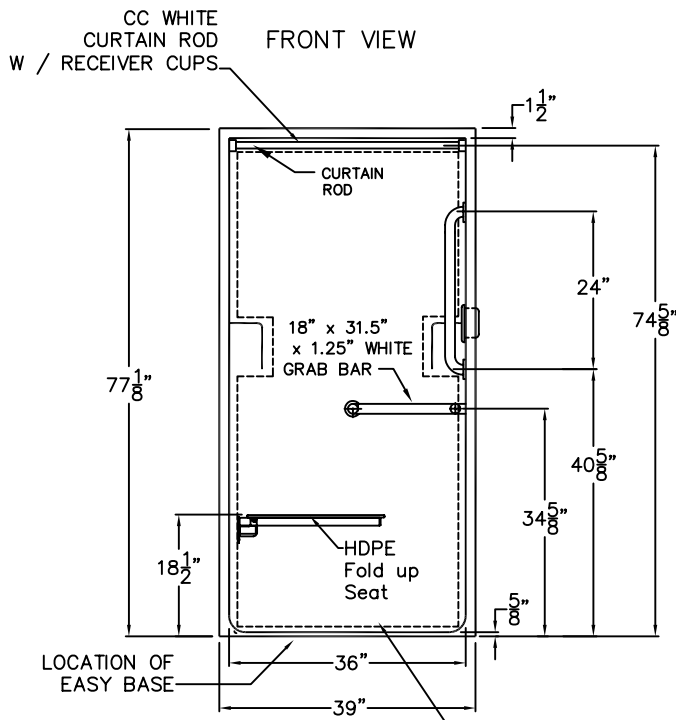
Durable, luxurious and easy to clean gelcoat fiber-glass with smooth wall finish.

ADA Compliant
Note: this model is not TAS compliant

ADA TRANSFER SHOWER (36" x 36" inside dimension)

Submittal Information; All accessories shown are optional

Custom submittal forms completed with each order



DASHED LINE INDICATES LOCATION OF WOOD BACKING ON ALL THREE WALLS

FACTORY INSTALLATION OF SHOWER ACCESSORIES IS AVAILABLE. MANY ACCESSORY OPTIONS. TOP VIEW

Accessible Shower Stall

The shower enclosure shall be Accessibility Professionals Model APTXSS3698BF right or left. Finished surface shall be of a sanitary-grade polyester Gelcoat exhibiting a minimal thickness of 15 dry mils, and a finished cured Barcol hardness of 80-90 as tested with ASTM D-2583. Unit construction shall be of molded reinforced fiberglass with a 15% minimum fiberglass content. The unit shall have outside dimensions of 39" x 39 1/2" x 77 1/8". The base shall be attached to the sump of the unit in such a manner to form and integral part with an inner and outer coating of reinforced polyester resin. The unit shall meet ANSI 124.2, HUD, BOCA, NAHB, UPC, and shall meet the requirements of Southern Building Code.

The enclosure may be equipped with the following installed accessories:

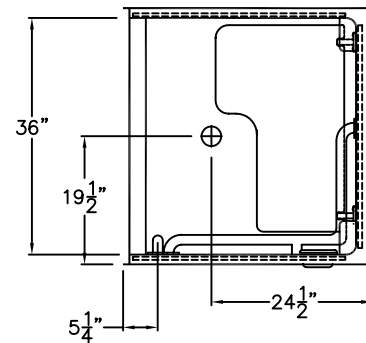
- 1) one 18" x 31 1/2" CC. white L bar x 1 1/4" diameter, 18 gauge white grab bar,
- 2) one 24" x 1 1/4" diameter, 18 gauge white grab bar mounted vertically on the valve wall, with 1 1/2" statute clearance, mounted with stainless steel bolts and secured from the rear with a 3" x 3" x 11 gauge metal mounting plate,
- 3) 1" diameter 20 gauge white curtain rod with receiver cups,
- 4) molded soap dish,
- 5) stainless steel recessed soap dish,
- 6) wood backing on all three walls,
- 7) factory installed Easy Base,
- 8) valve package includes: pressure balanced control valve, hand set, 60" flex hose, swivel connector, vacuum breaker brass nipple, locknut, wall brackets, 30" slide bar and shower wall outlet.

9) Factory installed Frameless HDPE Fold up Seat.

Available Options:

- 9) Green shower curtain, anti-bacterial, and hooks,
- 10) White shower curtain and hooks.

NOTE: THIS UNIT WILL NOT ACCEPT A DOOR!



DUE TO THE NATURE OF THE MATERIALS DIMENSIONS MAY VARY ± 1/2"

Job Name:

Model No.: APTXSS3698BF5

Approved by:

Date Approved:

Rep.:

Wholesaler:

Drawing#: XSS3698 BF .625 WLB WVB RSR FHDV VP WCR FWB

Date: 5-21-07 Revised: 9-2-08

Quote No.: