

ADA Roll-in Shower APTXSS6233BF75



Shower shown with some available factory installed accessories
Comes standard in white

62" x 33" x 78 3/4"
60" x 30" inside dimension

1 piece for new construction

3/4" threshold with pre-leveled
reinforced base for easy installation

Model includes:

- 2 molded soap ledges

Accessories available:

- inside corner bar or a U shaped grab bar
- frameless white hdpe fold up seat
- stainless steel curtain rod
- weighted shower curtain
- collapsible water retainer
- caulkless drain
- handheld shower glide bar kit with pressure balanced valve.

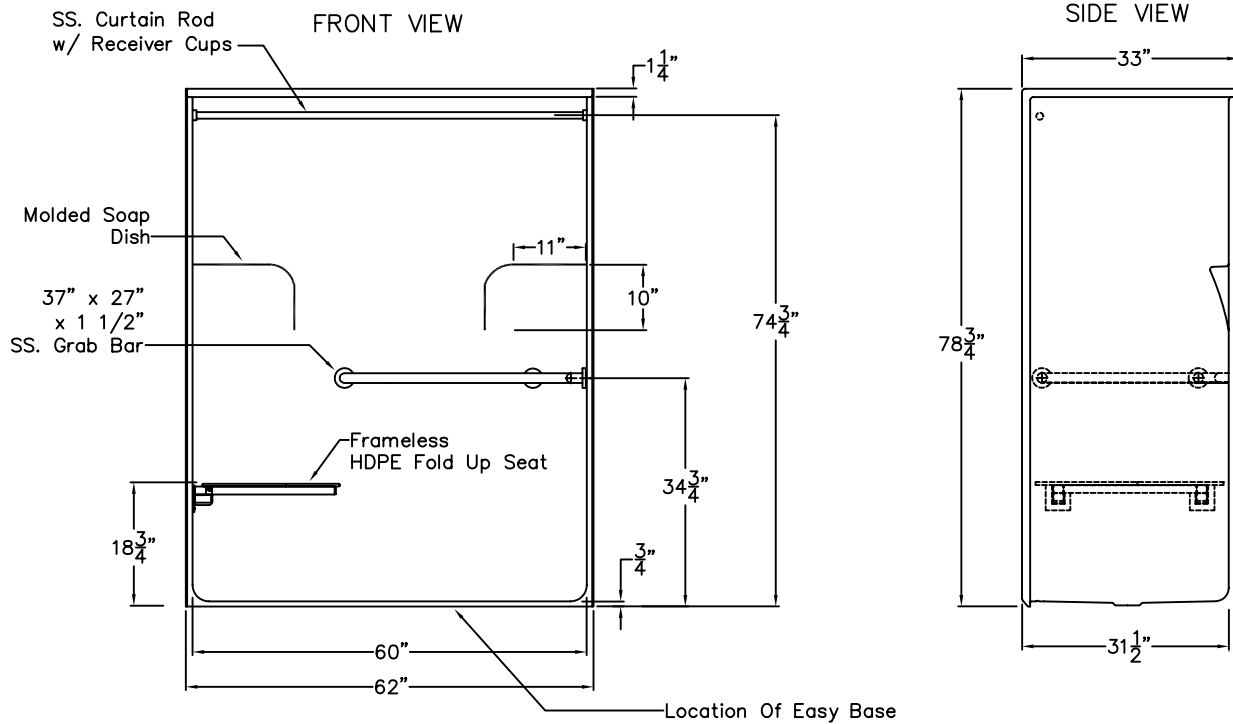
Durable, luxurious and easy to
clean gelcoat fiberglass with smooth
wall finish.

ADA compliant



ADA Roll in Shower (60" x 30" inside dimension)

Submittal Information; All accessories shown are optional
Custom submittal forms completed with each order



Roll-In Shower Stall

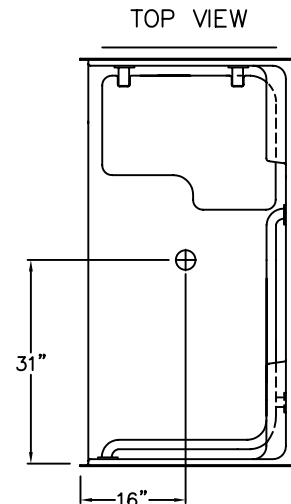
The shower enclosure shall be Model APTXSS6233BF75, center, right or left. Finished surface shall be of a sanitary-grade polyester Gelcoat exhibiting a minimal thickness of 15 dry mils and a finished cured Barcol hardness of 80-90 as tested with ASTM D-2583. Unit construction shall be of molded reinforced fiberglass with a 15% minimum fiberglass content. The unit shall have outside dimensions of 62" x 33" x 78 3/4". The base shall be attached to the sump of the unit in such a manner to form and integral part with an inner and outer coating of reinforced polyester resin. The unit shall meet ANSI 117.1, ANSI 124.2, ADA, HUD, BOCA, NAHB, UPC, Code and shall meet the requirements of Southern Building Code.

The enclosure may be equipped with the following installed accessories:
1) one 37" x 27" x 1 1/2" stainless steel L-grab bar, with 1 1/2" statute clearance, mounted with stainless steel bolts and secured from the rear with a 3" x 3" x 11 gauge mounting plate, 2) Factory installed white HDPE fold up seat, 3) factory installed Easy Base self sustaining bottom, 4) 3/4" threshold.

THIS UNIT FEATURES THE OUTSIDE DIMENSIONS OF 62" OF OVERALL WIDTH. THIS DOES NOT ALLOW FOR FULL ENCLOSURE OF THE BOLTS THAT ARE USED TO SECURE THE BARS AND SEAT IN PLACE. THE BOLT AND NUT COMBINATION SHOULD NOT PROTRUDE ANY MORE THAN 3/4" ON EITHER SIDE.

THIS SHOULD NOT CREATE ANY TYPE OF INSTALLATION PROBLEMS EXCEPT FOR A DRY WALL ENCLOSED FIRE WALL INSTALLATION AREA THAT WOULD NOT ALLOW FOR ANY VARIATIONS. IN A STANDARD STUD /OPENING INSTALLATION THE EXTENSION OF THE HARDWARE SHOULD NOT CAUSE ANY TYPE OF PROBLEM.

NOTE: THIS UNIT WILL NOT ACCEPT A DOOR!



DUE TO THE NATURE OF THE MATERIALS
DIMENSIONS MAY VARY ± 1/2"

Job Name:

Model No.:

Drawing#: APXSS6233BF75

Approved by:

Date Approved:

Date: 4-17-98

Revised: 12-12-08

Rep.:

Wholesaler:

Quote No.:

