



ADA Roll-in Shower APTXST6437BF75



63" x 37 1/2" x 74 3/4"
60" x 36" inside dimension

1 piece for new construction

3/4" threshold with pre-leveled
reinforced base for easy installation

Accessories available:

- inside corner bar
- frameless white padded fold up seat
- curtain rod and drain.
- collapsible water retainer
- weighted shower curtain
- handheld shower glide bar kit with pressure balanced valve.

Durable, luxurious and easy to clean fiberglass gelcoat with tile look and diamond tile accents.

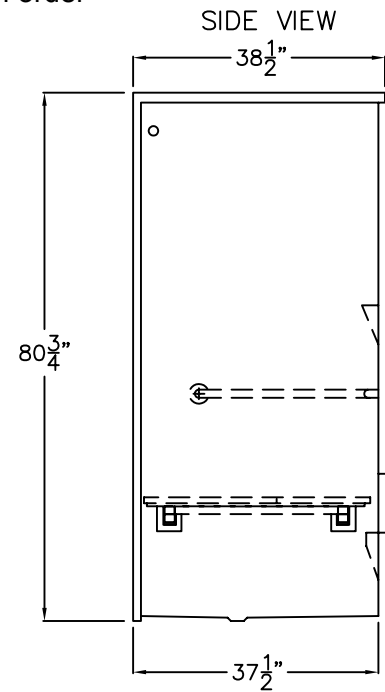
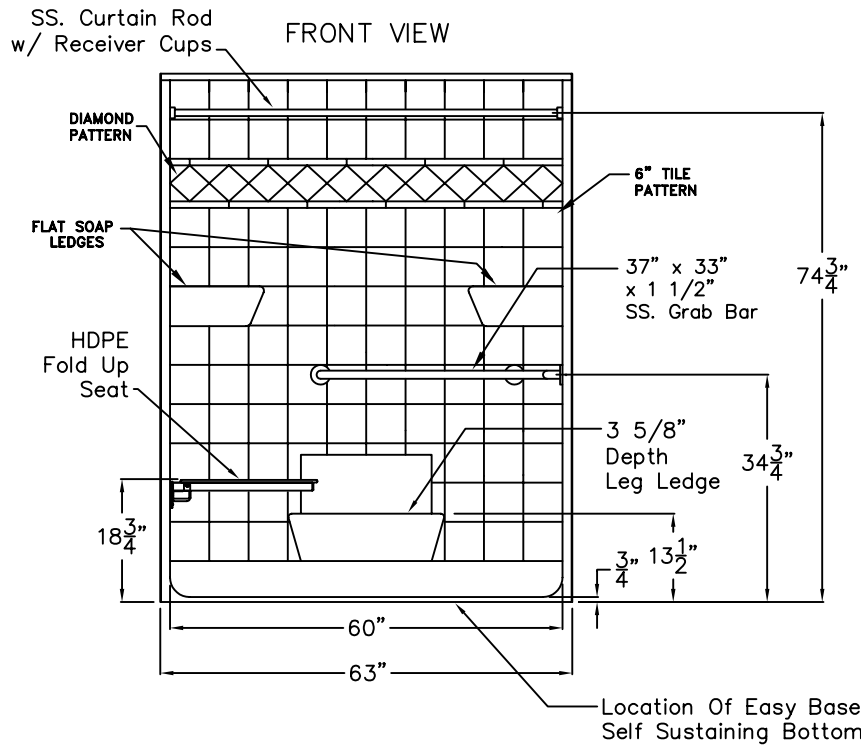
ADA compliant

Shower shown with some available factory installed accessories
Comes standard in white

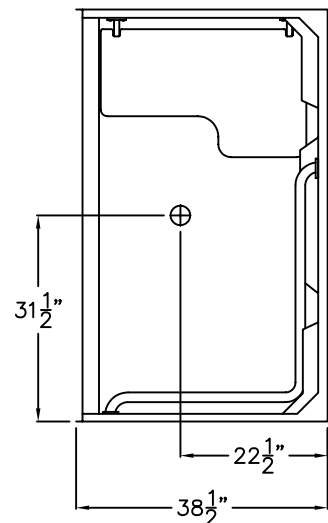
ADA Roll-in Shower (60"x36" inside dimension)

Submittal Information; All accessories shown are optional

Custom submittal forms completed with each order



TOP VIEW



Roll-In Shower Stall

The shower enclosure shall be Model APTXST6437BF75 center, right or left. Finished surface shall be of a sanitary-grade Gelcoat surface exhibiting a minimal thickness of 15 dry mils, and a finished cured Barcol hardness of 80-90 as tested with ASTM D-2583. Unit construction shall be of molded reinforced fiberglass with a 15% minimum fiberglass content. The unit shall have outside dimensions of 63" x 38 1/2" x 80 3/4". The base shall be attached to the sump of the unit in such a manner to form an integral part with an inner and outer coating of reinforced polyester resin. The unit shall meet ANSI 117.1, ANSI 124.2, ADA, HUD, BOCA, NAHB, UPC, and shall meet the requirements of Southern Building Code.

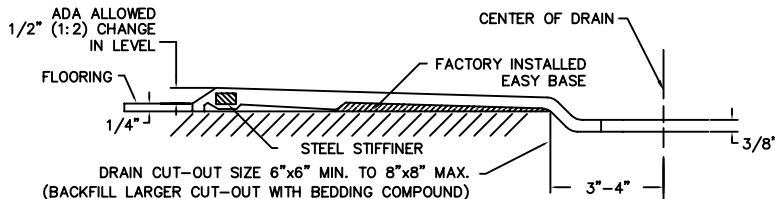
The enclosure shall be equipped with the following installed accessories:

- 1) one 37" x 33" x 1 1/2" diameter, 18 gauge stainless steel grab bar with 1 1/2" statute clearance, mounted with stainless steel bolts and secured from the rear with a 3" x 3" 11 gauge metal mounting plate,
- 2) factory installed white HDPE fold up seat,
- 3) molded soap ledges,
- 4) molded leg ledge,
- 5) tile finish
- 6) one inch diameter, 18 gauge stainless steel curtain rod with receiver cups,
- 7) Factory installed Easy Base self sustaining bottom.

THIS UNIT FEATURES THE OUTSIDE DIMENSIONS OF 63" OF OVERALL WIDTH. THIS DOES NOT ALLOW FOR FULL ENCLOSURE OF THE BOLTS THAT ARE USED TO SECURE THE BARS AND SEAT IN PLACE. THE BOLT AND NUT COMBINATION SHOULD NOT PROTRUDE ANY MORE THAN 3/4" ON EITHER SIDE. THIS SHOULD NOT CREATE ANY TYPE OF INSTALLATION PROBLEMS EXCEPT FOR A DRY WALL ENCLOSED FIRE WALL INSTALLATION AREA THAT WOULD NOT ALLOW FOR ANY VARIATIONS. IN A STANDARD STUD/OPENING INSTALLATION THE EXTENSION OF THE HARDWARE SHOULD NOT CAUSE ANY TYPE OF PROBLEM.

NOTE: THIS UNIT WILL NOT ACCEPT A DOOR!

DUE TO THE NATURE OF THE MATERIALS DIMENSIONS MAY VARY ± 1/2"



CROSS-SECTION OF THRESHOLD

Drawing#: APTXST6437BF75

Date: 5-14-07 Revised: 12-12-08

Quote No.: